

BAYPOLES AND COUPLINGS - VARIOUS

Inside:

- 2mm Decorative Coupler
- 3mm Coupler
- 10mm Coupler
- 10mm Heavy Duty Coupler
- 10mm Heavy Duty Plus Coupler
- 24mm Heavy Duty Couplers
- 65mm Coupler
- 15mm Coupler for use with Deceuninck Slider 24 Doors
- 90° Fixed Angle Corner Post (Rehau)
- 90° Fixed Angle Corner Post (Calibre)
- 90° Decorative Fixed Angle Corner Post
- 101°-174° Bay Pole & Adaptor
- 120°-170° Variable Angle Bay Pole
- 90°-119° Variable Angle Bay Pole
- 171°-179° Variable Angle Bay Pole
- 135° Fixed Angle Bay Pole
- 150° Fixed Angle Bay Pole
- Fixed Angle Bow Bay Pole
- 90°-120° and 125°-170° Easy Bay
- 120°-160° Vertical Slider Variable Angle Bay Pole
- 90° Vertical Slider Fixed Angle Corner Post
- 90° Fixed Angle Corner Post (R7)
- 90° Fixed Angle Corner Post (R9)
- 94°-119° Variable Angle Bay Pole (R7)
- 120°-159° Variable Angle Bay Pole (R7)
- 160°-179° Variable Angle Bay Pole (R7)
- 90°-125° Variable Angle Bay Pole (R9)
- 120°-150° Variable Angle Bay Pole (R9)
- 150°-179° Variable Angle Bay Pole (R9)
- Bay Jacks for Window Widgets & Rehau Poles and Spreader Plates

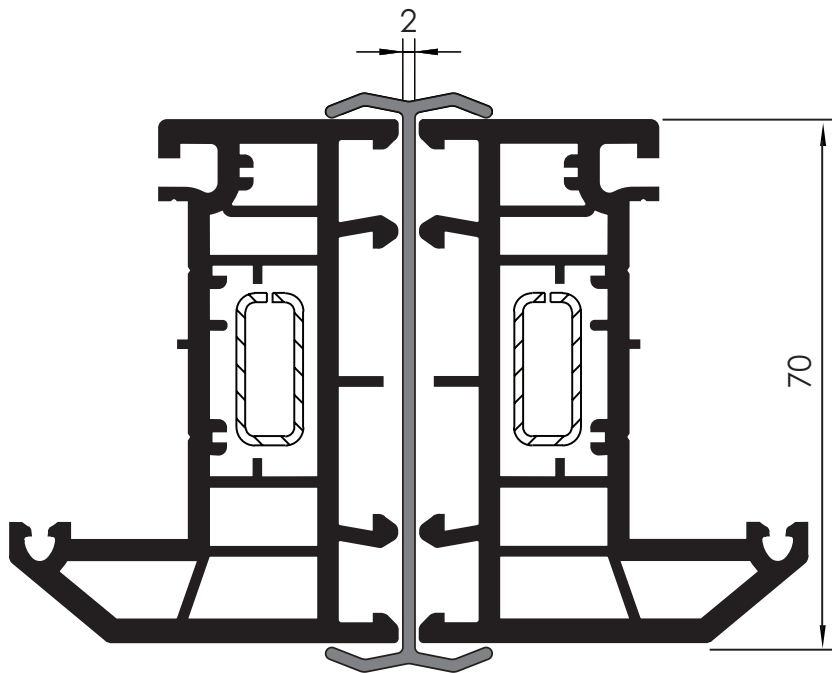
For further assistance, call 01702 613733

www.climatec-windows.co.uk

11-14 Fletchers Square, Temple Farm Industrial Estate, Southend-on-Sea, Essex SS2 5RN

2MM DECORATIVE COUPLER

- ❖ Simple 2mm PVCu frame coupler with a decorative feature to the visible faces.
- ❖ Used to couple frames where additional strength is not required
- ❖ Finishes available - white and all standard colours.
- ❖ Available for 70mm profile only



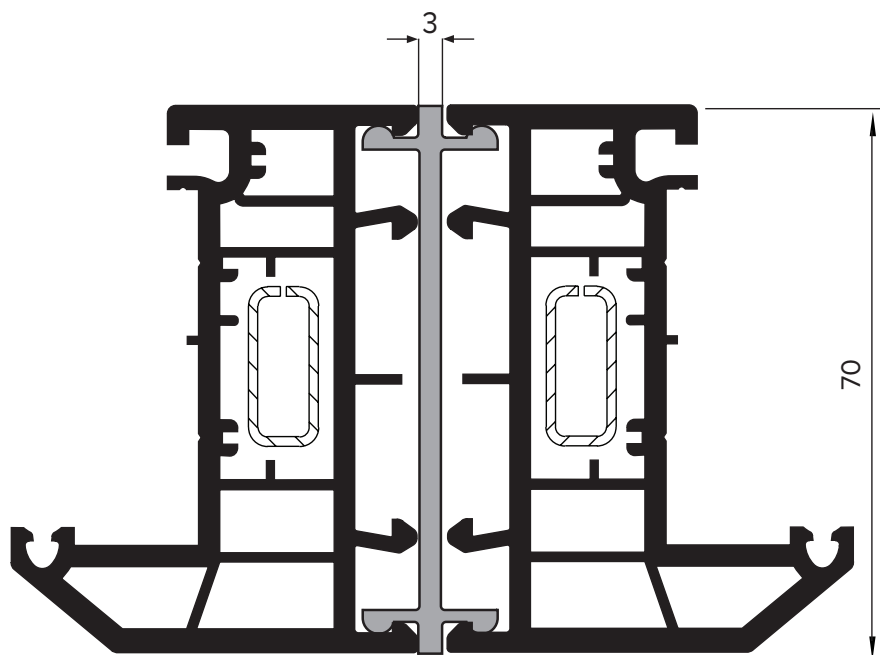
For further assistance, call 01702 613733

www.climatec-windows.co.uk

11-14 Fletchers Square, Temple Farm Industrial Estate, Southend-on-Sea, Essex SS2 5RN

3MM COUPLER

- ❖ For use with Rehau and Calibre profile.
- ❖ Used to couple frames where additional strength is not required
- ❖ Finishes available - white and all standard colours.
- ❖ Available for 70mm profile only



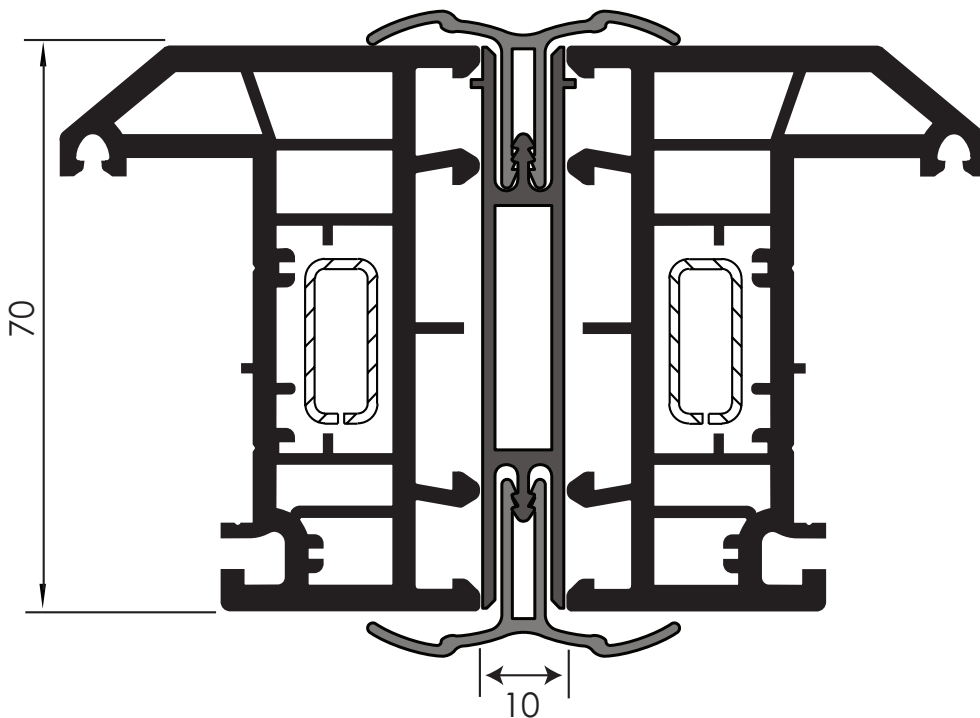
For further assistance, call 01702 613733

www.climatec-windows.co.uk

11-14 Fletchers Square, Temple Farm Industrial Estate, Southend-on-Sea, Essex SS2 5RN

10MM COUPLER

- ❖ This 10mm Coupler is great for coupling doors to stop 'whip'.
- ❖ Double leg clip detail – No snapping or braking in cold weather
- ❖ White and coloured foil trims available
- ❖ Available for 70mm profile only
- ❖ Load values - IX (CM⁴) 11.17 and IY (CM⁴) 0.41



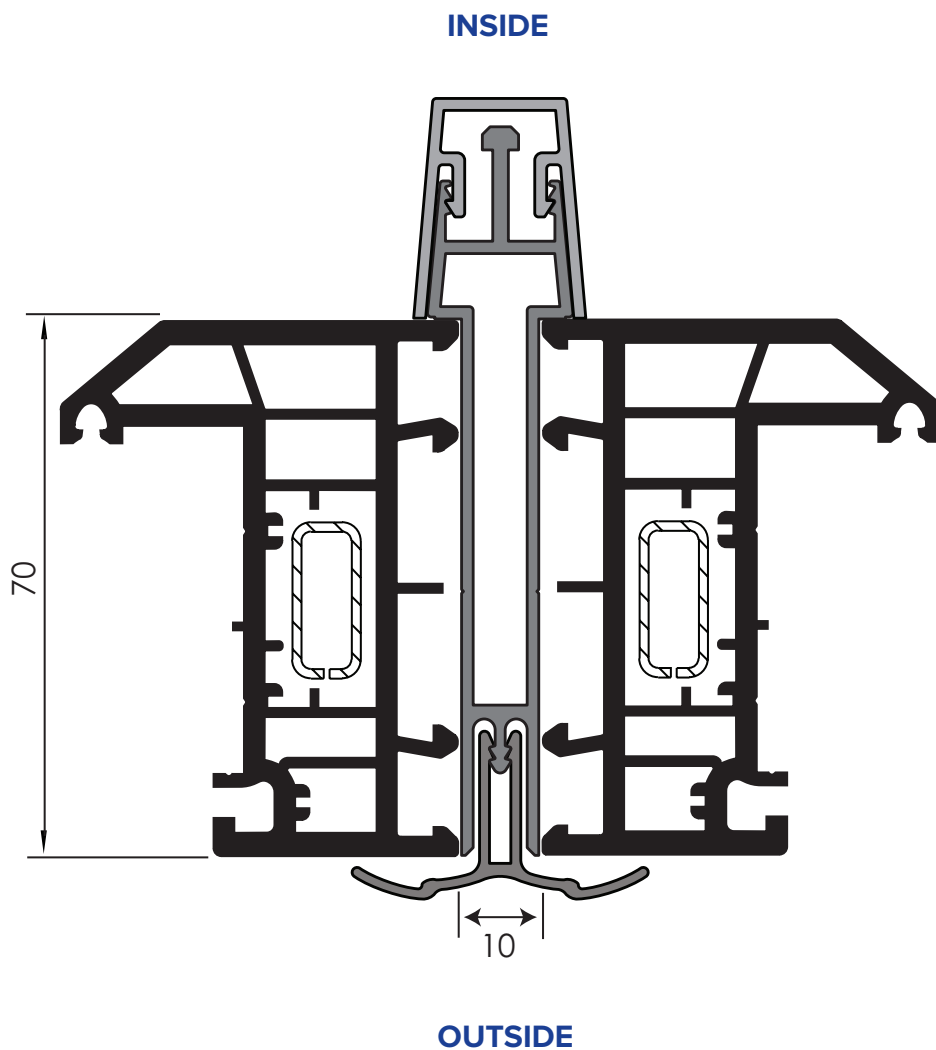
For further assistance, call 01702 613733

www.climatec-windows.co.uk

11-14 Fletchers Square, Temple Farm Industrial Estate, Southend-on-Sea, Essex SS2 5RN

10MM HEAVY DUTY COUPLER

- ❖ For use with Rehau and Calibre profile
- ❖ This 10mm Coupler is great for coupling doors to stop 'whip'.
- ❖ Also used for large window combination screens
- ❖ Double leg clip detail – No snapping or braking in cold weather
- ❖ White and coloured foil trims available
- ❖ Available for 70mm profile only
- ❖ Increased load values - IXX (CM⁴) 27.95 and IYY (CM⁴) 0.79



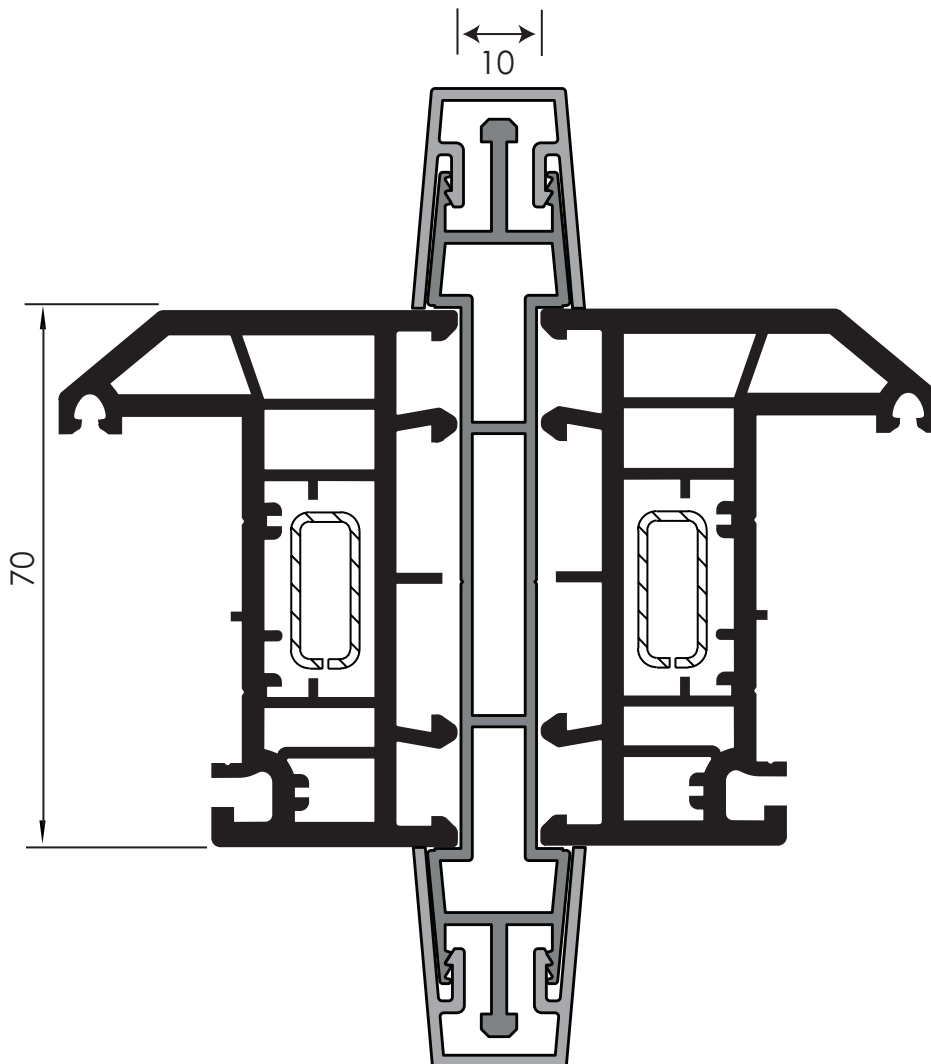
For further assistance, call 01702 613733

www.climatec-windows.co.uk

11-14 Fletchers Square, Temple Farm Industrial Estate, Southend-on-Sea, Essex SS2 5RN

10MM HEAVY DUTY PLUS COUPLER

- ❖ For use with Rehau and Calibre profile.
- ❖ This 10mm Coupler is great for coupling doors to stop 'whip'.
- ❖ Also used for large window combination screens.
- ❖ Double leg clip detail – No snapping or braking in cold weather.
- ❖ White and coloured foil trims available.
- ❖ Available for 70mm profile only.
- ❖ Increased load values - IXX (CM⁴) 65.23 and IYY (CM⁴) 1.22.



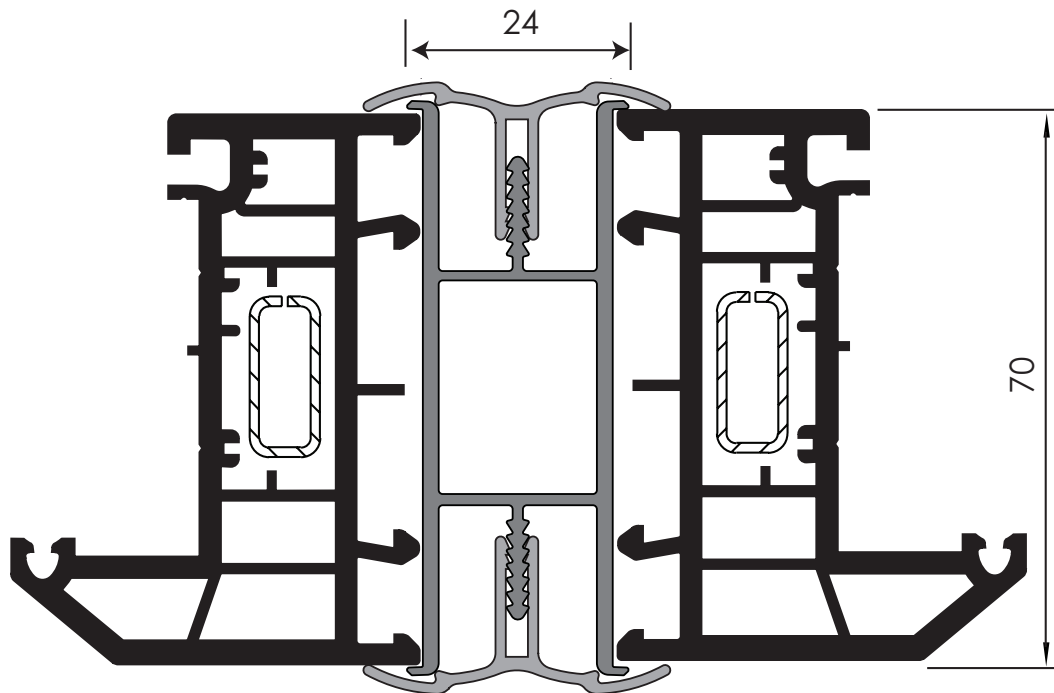
For further assistance, call 01702 613733

www.climatec-windows.co.uk

11-14 Fletchers Square, Temple Farm Industrial Estate, Southend-on-Sea, Essex SS2 5RN

24MM HEAVY DUTY COUPLERS

- ❖ For use with Rehau and Calibre 70mm frames.
- ❖ Designed as a load bearing coupler when used with a bay jack.
- ❖ It has a 24mm frame deduction.
- ❖ Frames can be fixed through the frame rebate into the aluminium.
- ❖ Finishes available for 70mm frame option in white and all standard colours.
- ❖ Jack Number 11



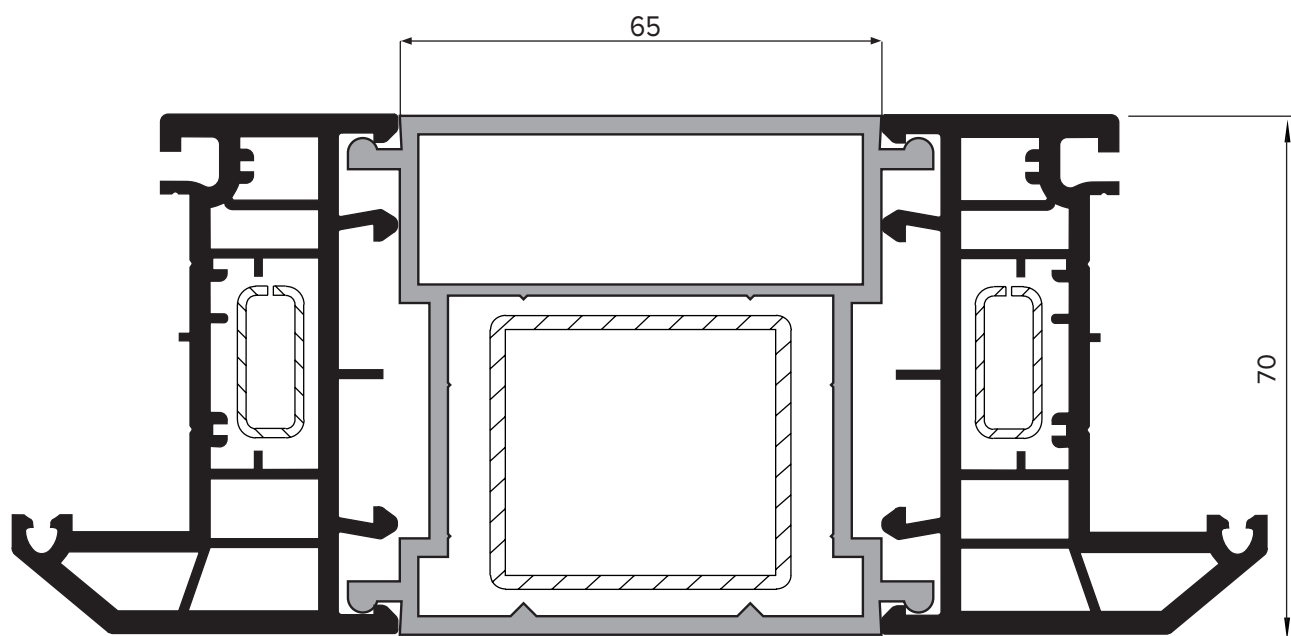
For further assistance, call 01702 613733

www.climatec-windows.co.uk

11-14 Fletchers Square, Temple Farm Industrial Estate, Southend-on-Sea, Essex SS2 5RN

65MM COUPLER

- ❖ For use with Rehau and Calibre profile.
- ❖ Used to couple frames where additional strength is not required.
- ❖ Finishes available - white and all standard colours.
- ❖ Available for 70mm profile only



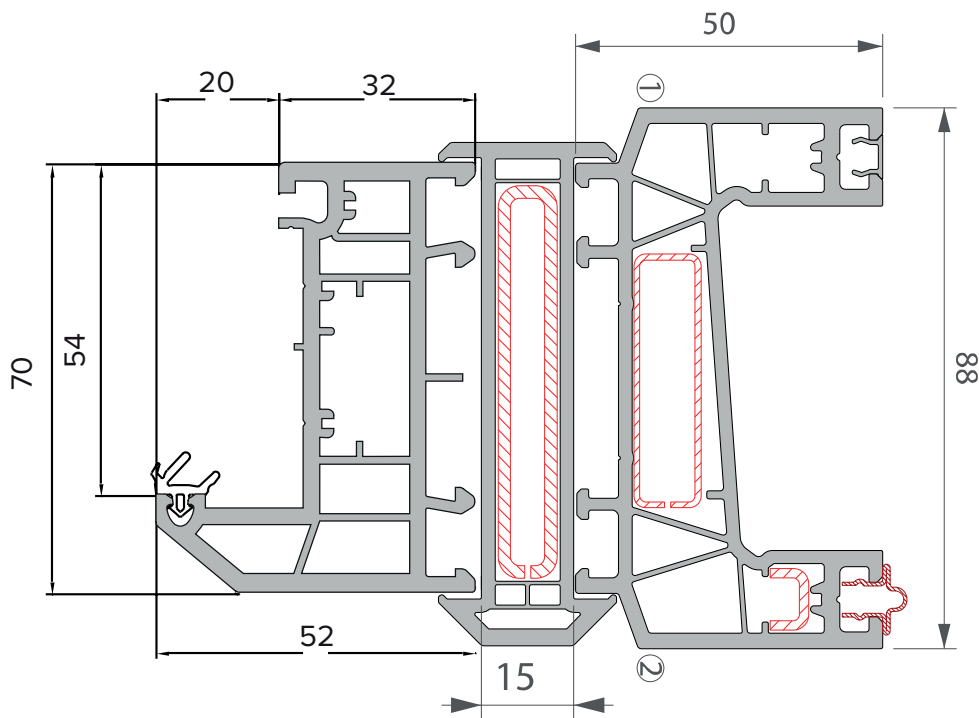
For further assistance, call 01702 613733

www.climatec-windows.co.uk

11-14 Fletchers Square, Temple Farm Industrial Estate, Southend-on-Sea, Essex SS2 5RN

15MM COUPLER FOR USE WITH DECEUNINCK SLIDER 24 DOORS

- ❖ For use with our 70mm systems coupled to Deceuninck Slider 24 doors.
- ❖ Finishes available - white and all standard colours.
- ❖ Available for 70mm profile only



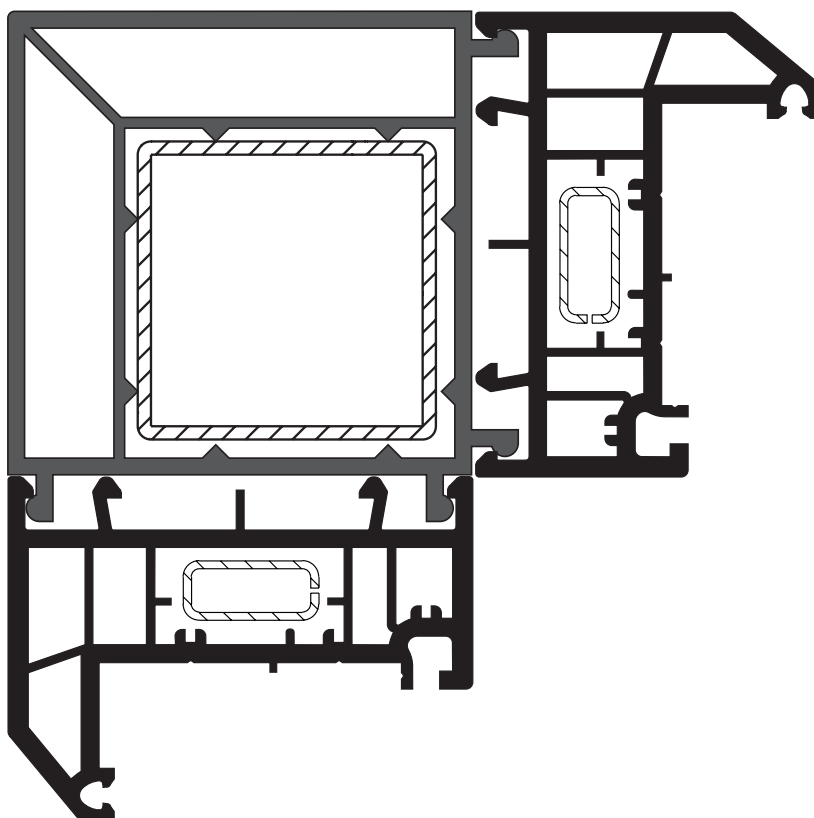
For further assistance, call 01702 613733

www.climatec-windows.co.uk

11-14 Fletchers Square, Temple Farm Industrial Estate, Southend-on-Sea, Essex SS2 5RN

90° FIXED ANGLE CORNER POST (REHAU)

- ❖ For use with Rehau profile.
- ❖ 90° fixed angle square bay.
- ❖ Jack Number 8



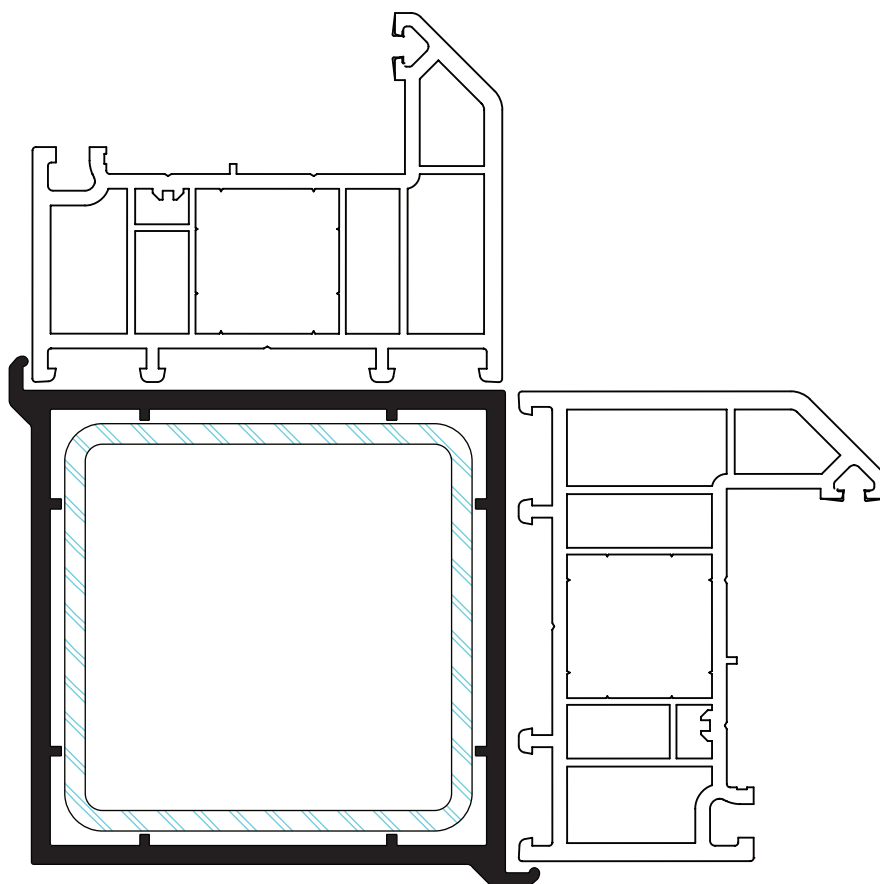
For further assistance, call 01702 613733

www.climatec-windows.co.uk

11-14 Fletchers Square, Temple Farm Industrial Estate, Southend-on-Sea, Essex SS2 5RN

90° FIXED ANGLE CORNER POST (CALIBRE)

- ❖ For use with Calibre profile.
- ❖ 90° fixed angle square bay.
- ❖ Jack Number 12



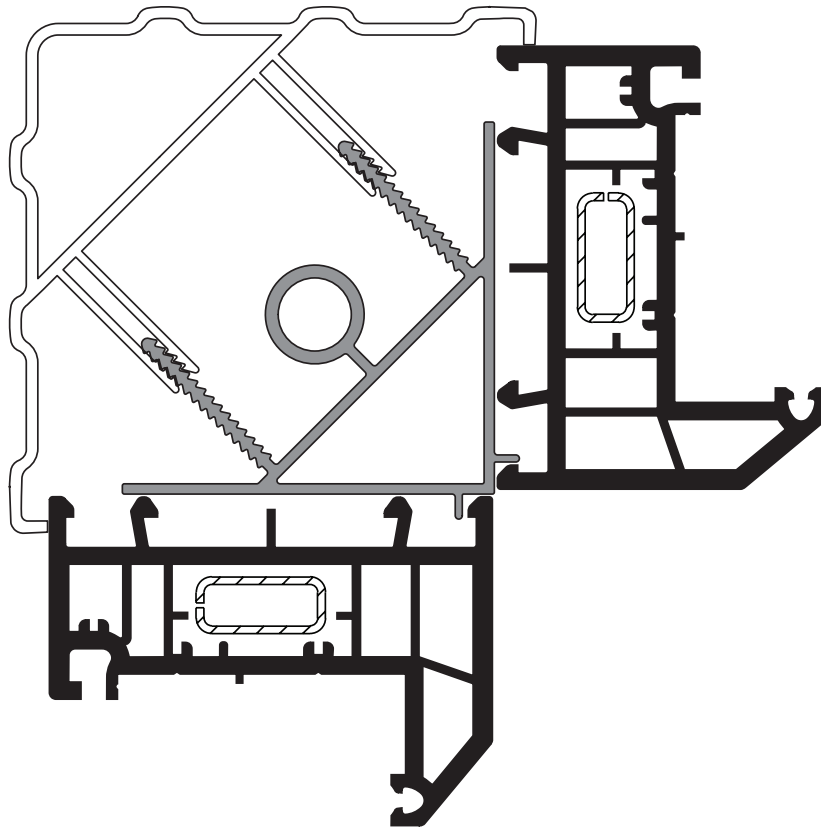
For further assistance, call 01702 613733

www.climatec-windows.co.uk

11-14 Fletchers Square, Temple Farm Industrial Estate, Southend-on-Sea, Essex SS2 5RN

90° DECORATIVE FIXED ANGLE CORNER POST

- ❖ For use with Rehau and Calibre profile.
- ❖ 90° fixed angle square bay
- ❖ This product is loadbearing when assembly is screwed together and bay jack is used.
- ❖ Available with decorative trim.
- ❖ Trims are fitted last, making baypole jack adjustment easy.
- ❖ Finishes available - All standard Colours.
- ❖ Jack Number 2



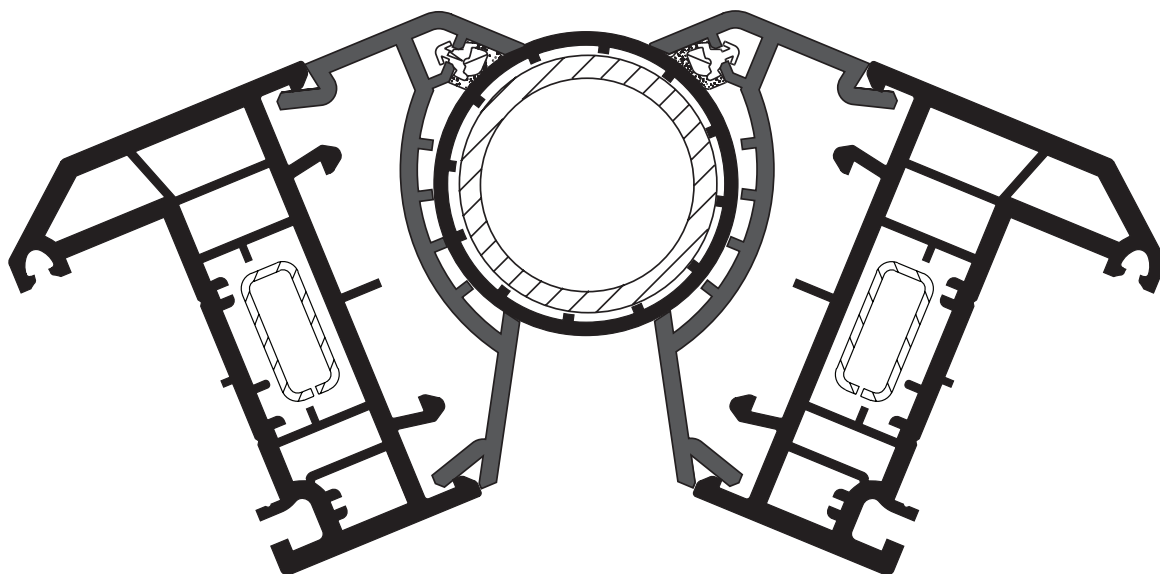
For further assistance, call 01702 613733

www.climatec-windows.co.uk

11-14 Fletchers Square, Temple Farm Industrial Estate, Southend-on-Sea, Essex SS2 5RN

101° - 174° BAY POLE AND ADAPTOR

- ❖ For use with Rehau profile.
- ❖ 101° - 174° splay bay pole and adaptor.
- ❖ Jack Number 6



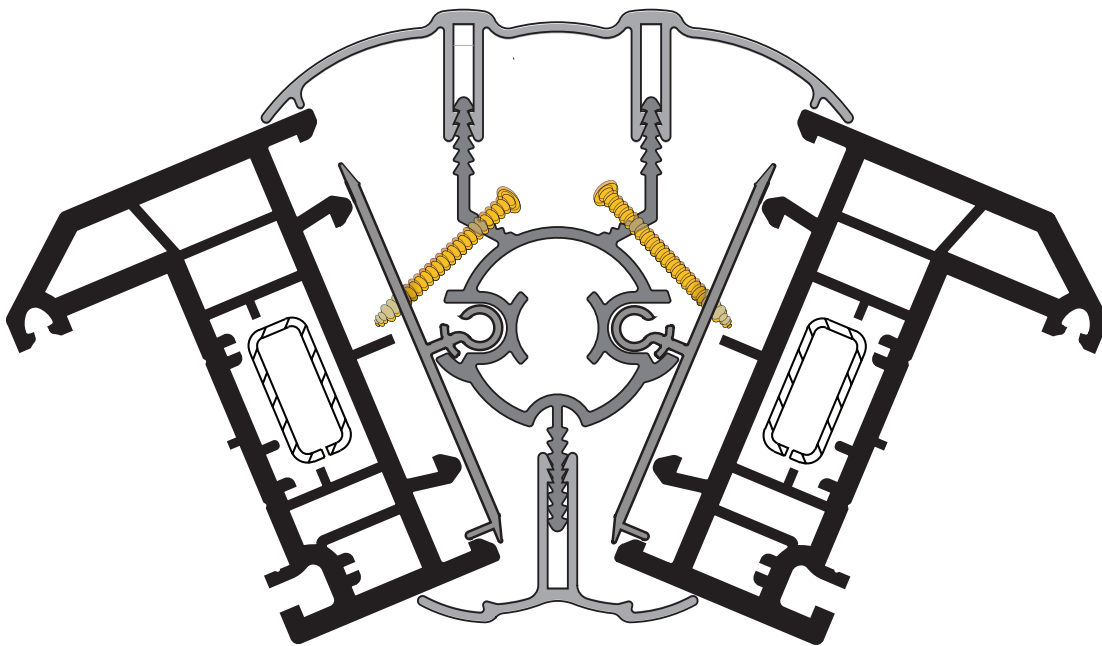
For further assistance, call 01702 613733

www.climatec-windows.co.uk

11-14 Fletchers Square, Temple Farm Industrial Estate, Southend-on-Sea, Essex SS2 5RN

120° - 170° VARIABLE ANGLE BAY POLE

- ❖ For use with Rehau and Calibre profile.
- ❖ Variable angle baypole.
- ❖ Works with angles from 120° to 170°.
- ❖ Decorative trims are fitted last, making baypole jack adjustment easy.
- ❖ Inner trim gives neat detail to inside unlike conventional designs.
- ❖ This product is loadbearing when assembly is screwed together and bay jack is used.
- ❖ Finishes available - white and all standard colours.
- ❖ Jack Number 2



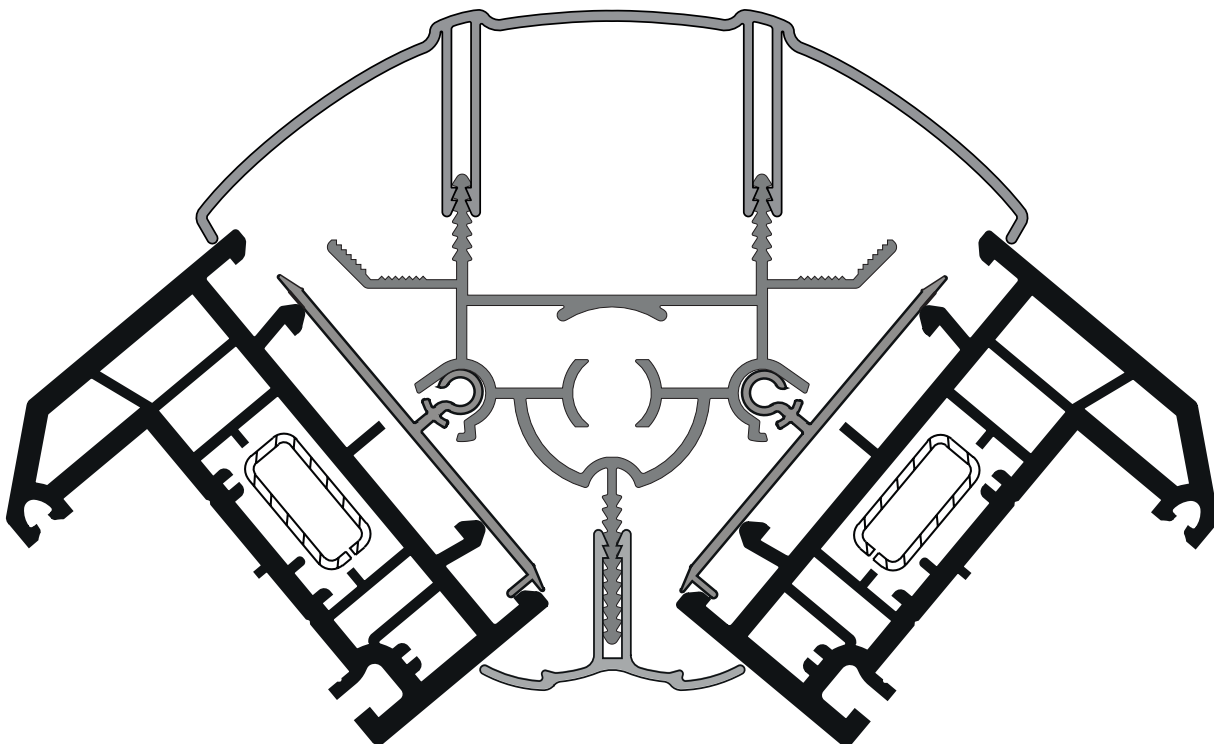
For further assistance, call 01702 613733

www.climatec-windows.co.uk

11-14 Fletchers Square, Temple Farm Industrial Estate, Southend-on-Sea, Essex SS2 5RN

91° - 119° VARIABLE ANGLE BAY POLE

- ❖ For use with Rehau and Calibre profile.
- ❖ Variable angle baypole.
- ❖ Works with angles from 91° to 119°.
- ❖ Decorative trims are fitted last, making baypole jack adjustment easy.
- ❖ Inner trim gives neat detail to inside unlike conventional designs.
- ❖ This product is loadbearing when assembly is screwed together and bay jack is used.
- ❖ Finishes available - white and all standard colours.
- ❖ Jack Number 2



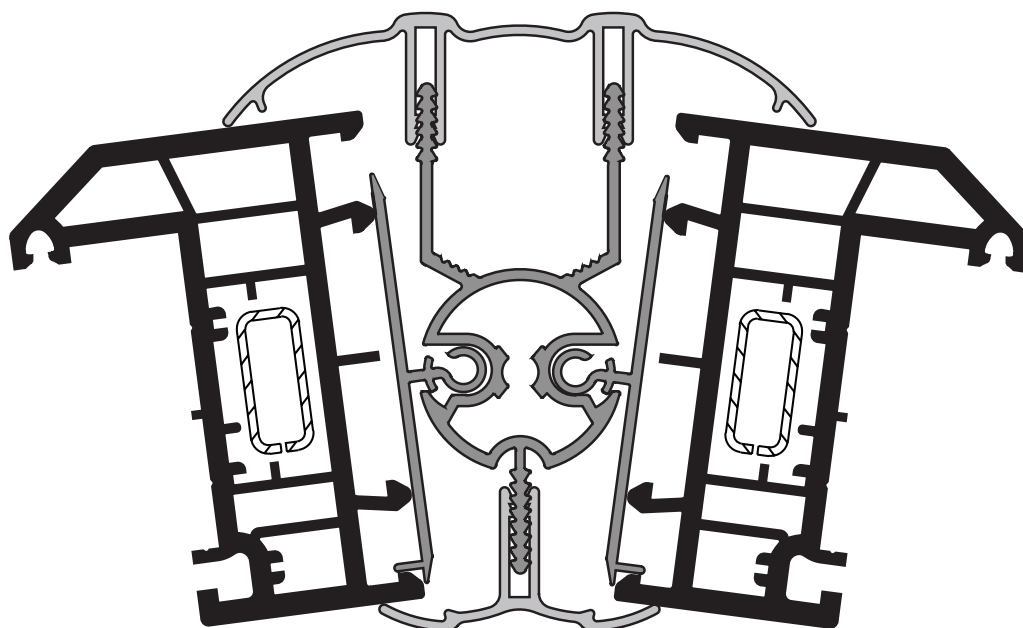
For further assistance, call 01702 613733

www.climatec-windows.co.uk

11-14 Fletchers Square, Temple Farm Industrial Estate, Southend-on-Sea, Essex SS2 5RN

171° - 179° VARIABLE ANGLE BAY POLE

- ❖ For use with Rehau and Calibre profile.
- ❖ Variable angle baypole.
- ❖ Works with angles from 171° to 179°.
- ❖ Decorative trims are fitted last, making baypole jack adjustment easy.
- ❖ Inner trim gives neat detail to inside unlike conventional designs.
- ❖ This product is loadbearing when assembly is screwed together and bay jack is used.
- ❖ Finishes available - white and all standard colours.
- ❖ Jack Number 19



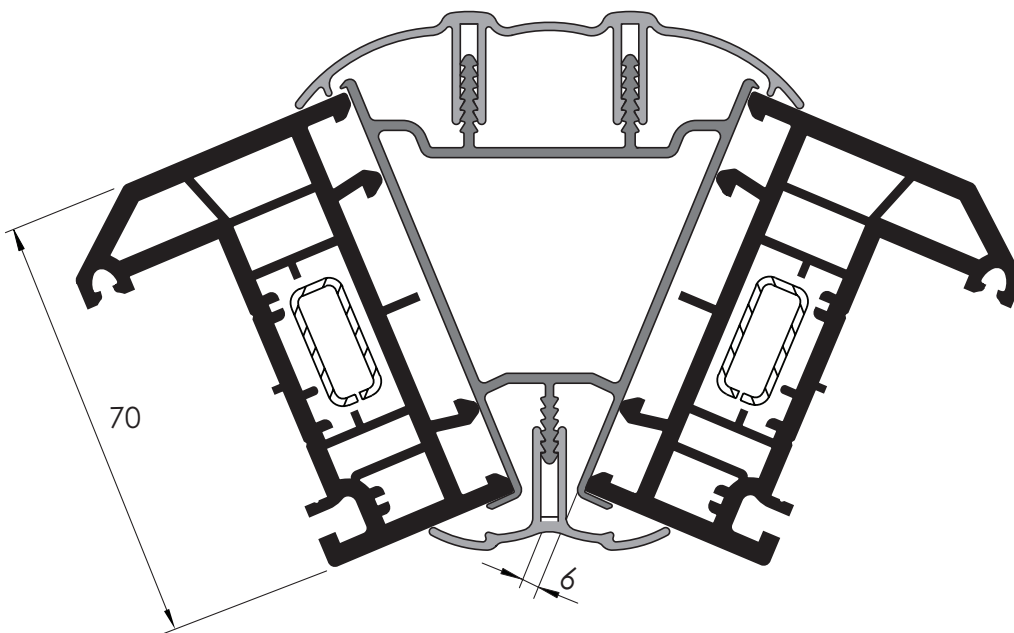
For further assistance, call 01702 613733

www.climatec-windows.co.uk

11-14 Fletchers Square, Temple Farm Industrial Estate, Southend-on-Sea, Essex SS2 5RN

135° FIXED ANGLE BAY POLE

- ❖ For use with Rehau and Calibre profile.
- ❖ 135° fixed angle bay has a 6mm per side frame deduction.
- ❖ Works with angles from 134° - 136°
- ❖ PVCu covers are fitted last making adjustment of bay jacks easier.
- ❖ This product is loadbearing when used with a bay jack.
- ❖ Finishes available - in white and all standard colours.
- ❖ Jack Number 4



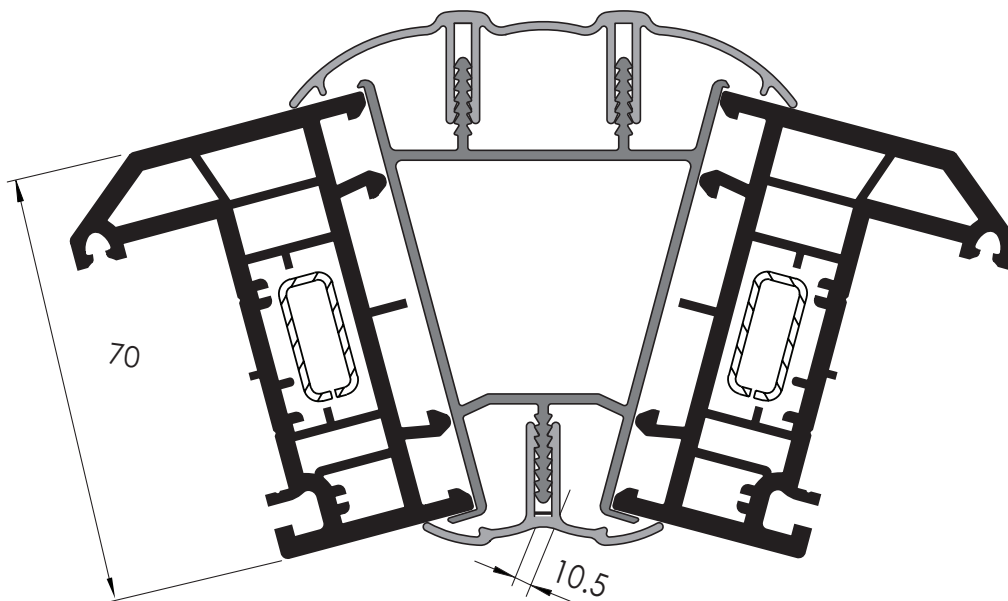
For further assistance, call 01702 613733

www.climatec-windows.co.uk

11-14 Fletchers Square, Temple Farm Industrial Estate, Southend-on-Sea, Essex SS2 5RN

150° FIXED ANGLE BAY POLE

- ❖ For use with Rehau and Calibre profile.
- ❖ 150° fixed angle bay has a 10.5mm per side frame deduction.
- ❖ Works with angles from 149° - 151°
- ❖ PVCu covers are fitted last making adjustment of bay jacks easier.
- ❖ This product is loadbearing when used with a bay jack.
- ❖ Finishes available - white and all standard colours.
- ❖ Jack Number 35



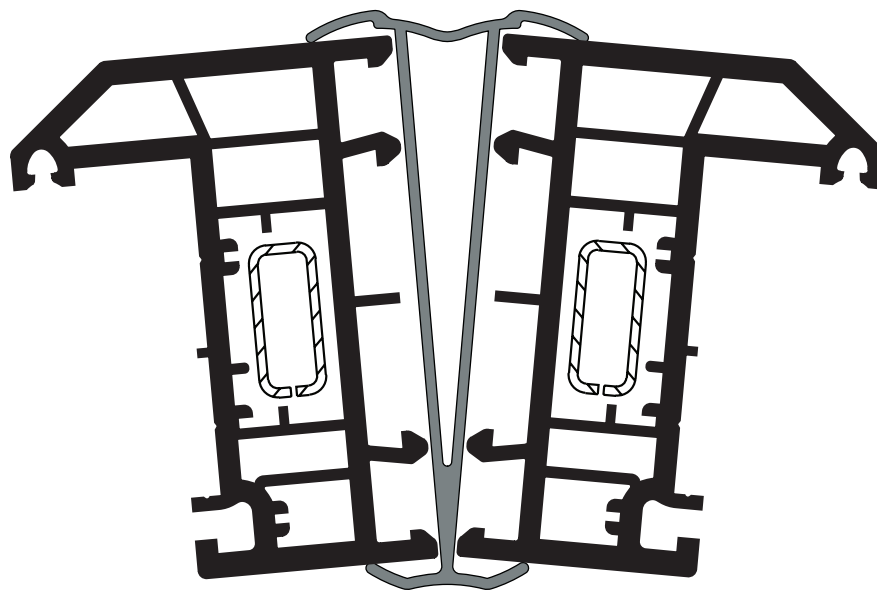
For further assistance, call 01702 613733

www.climatec-windows.co.uk

11-14 Fletchers Square, Temple Farm Industrial Estate, Southend-on-Sea, Essex SS2 5RN

FIXED ANGLE BOW BAY POLE

- ❖ For use with Rehau and Calibre profile.
- ❖ Works with angles from 152° - 179°.
- ❖ Designed for non loadbearing 70mm bow bay installations.
- ❖ Adding a 2mm sightline to the frame sizes for this common newbuild style where sightline is often a problem.
- ❖ Finishes available - white and all standard colours.



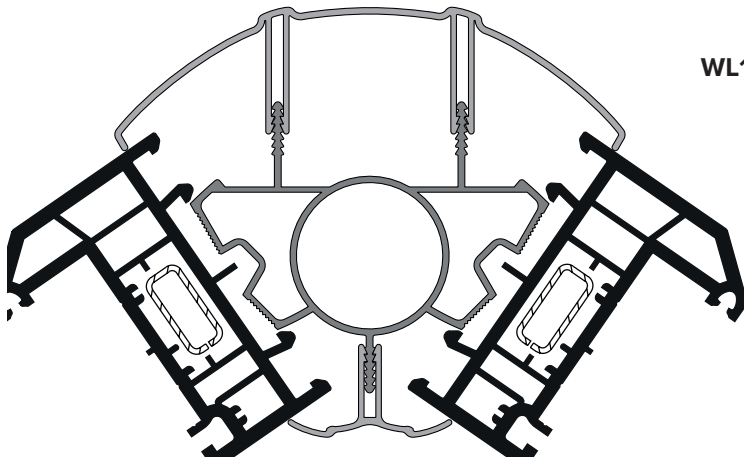
For further assistance, call 01702 613733

www.climatec-windows.co.uk

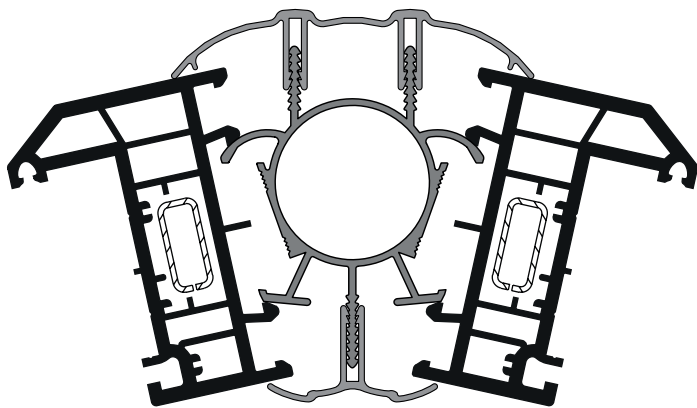
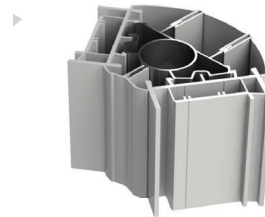
11-14 Fletchers Square, Temple Farm Industrial Estate, Southend-on-Sea, Essex SS2 5RN

90° - 120° EASY BAY
125° - 170° EASY BAY

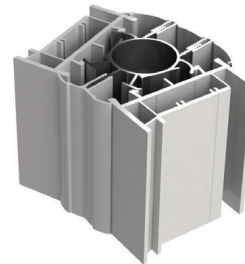
- ❖ For use with Rehau 70mm profile only.
- ❖ 90° - 120° Easy Bay and 125° - 170° Easy Bay available.
- ❖ This product is loadbearing when used with a bay jack.
- ❖ Finishes available - white and all standard colours.
- ❖ Jack Number 3



WL123 - 90°-120° Easy Bay



WL122 - 125°-170° Easy Bay



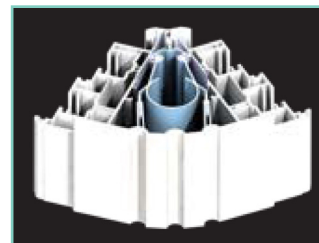
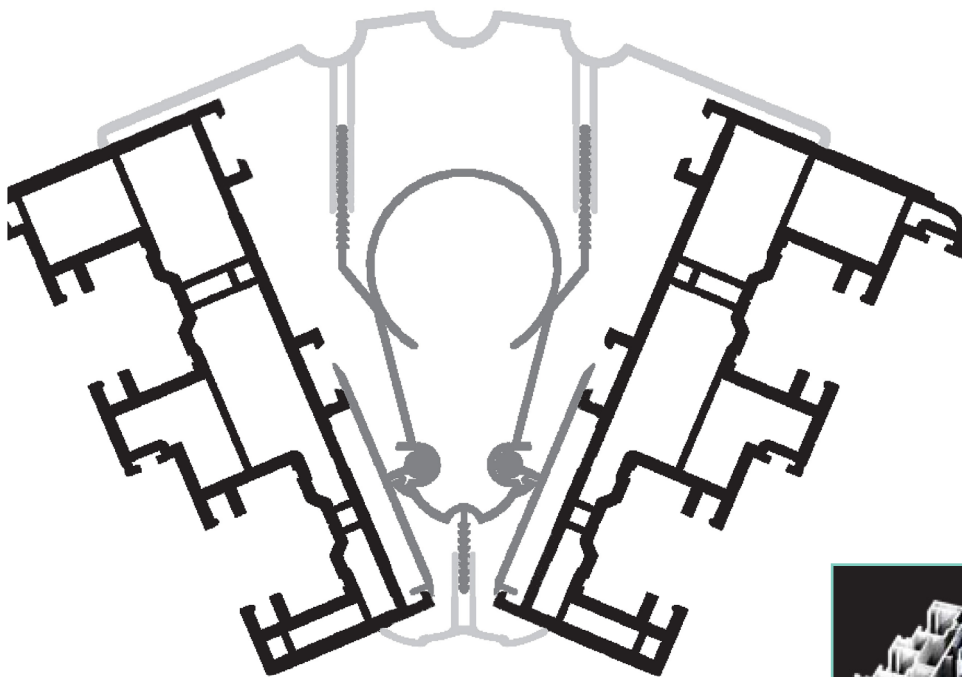
For further assistance, call 01702 613733

www.climatec-windows.co.uk

11-14 Fletchers Square, Temple Farm Industrial Estate, Southend-on-Sea, Essex SS2 5RN

120° - 160° VERTICAL SLIDER VARIABLE ANGLE BAY POLE

- ❖ For use with Rehau Heritage profile only.
- ❖ Variable angle baypole.
- ❖ Works with angles from 120° to 160°.
- ❖ Decorative trims are fitted last, making baypole jack adjustment easy.
- ❖ Inner trim gives neat detail to inside unlike conventional designs.
- ❖ This product is loadbearing when assembly is screwed together and bay jack is used.
- ❖ Finishes available - white and all standard colours..
- ❖ Jack Number 7



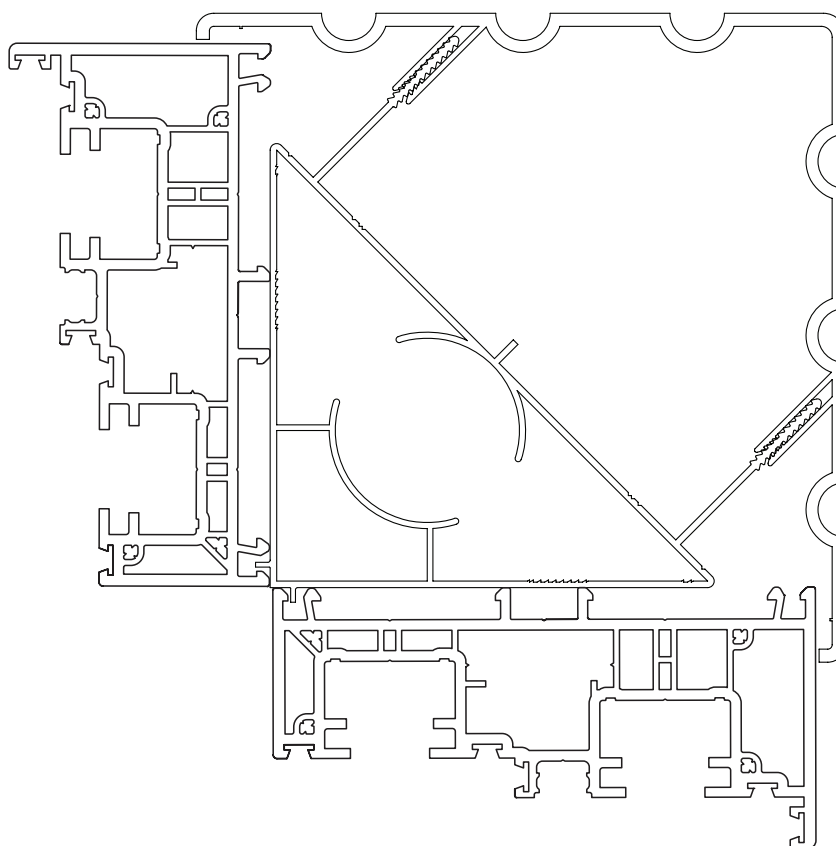
For further assistance, call 01702 613733

www.climatec-windows.co.uk

11-14 Fletchers Square, Temple Farm Industrial Estate, Southend-on-Sea, Essex SS2 5RN

VERTICAL SLIDER 90° FIXED ANGLE CORNER POST

- ❖ For use with Rehau Vertical Slider profile.
- ❖ 90° fixed angle square bay.
- ❖ Jack Number 7



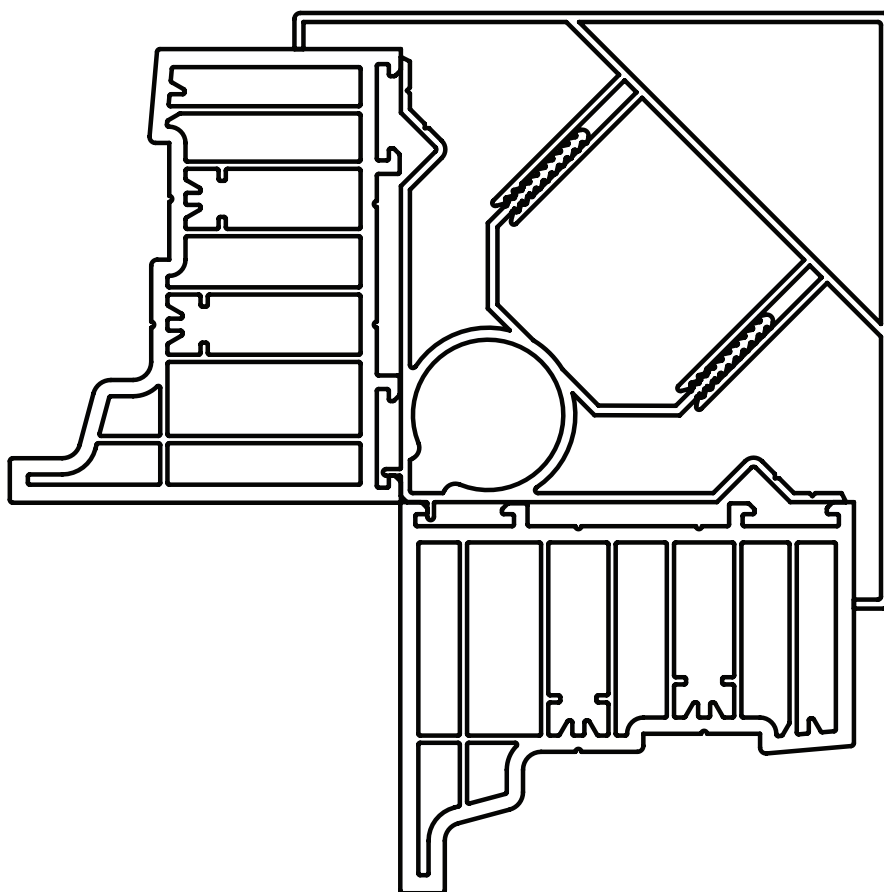
For further assistance, call 01702 613733

www.climatec-windows.co.uk

11-14 Fletchers Square, Temple Farm Industrial Estate, Southend-on-Sea, Essex SS2 5RN

R7 90° FIXED ANGLE CORNER POST

- ❖ For use with Residence R7 profile.
- ❖ 90° fixed angle square bay.
- ❖ Jack Number 18



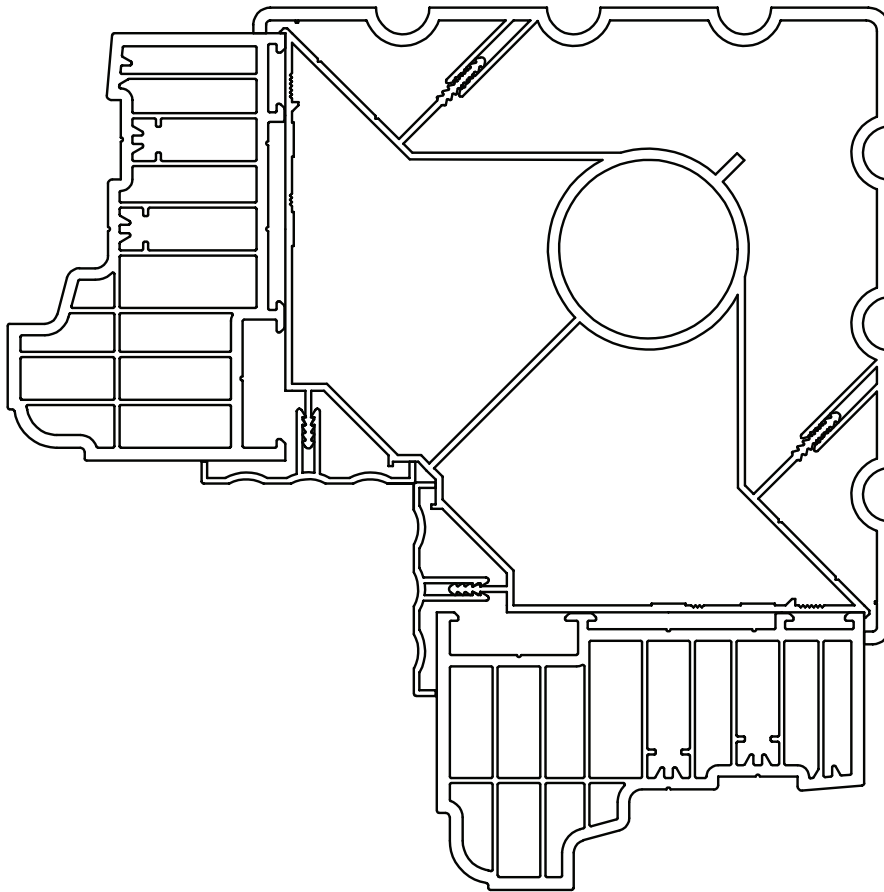
For further assistance, call 01702 613733

www.climatec-windows.co.uk

11-14 Fletchers Square, Temple Farm Industrial Estate, Southend-on-Sea, Essex SS2 5RN

R9 90° FIXED ANGLE CORNER POST

- ❖ For use with Residence R9 profile.
- ❖ 90° fixed angle square bay.
- ❖ Jack Number 7



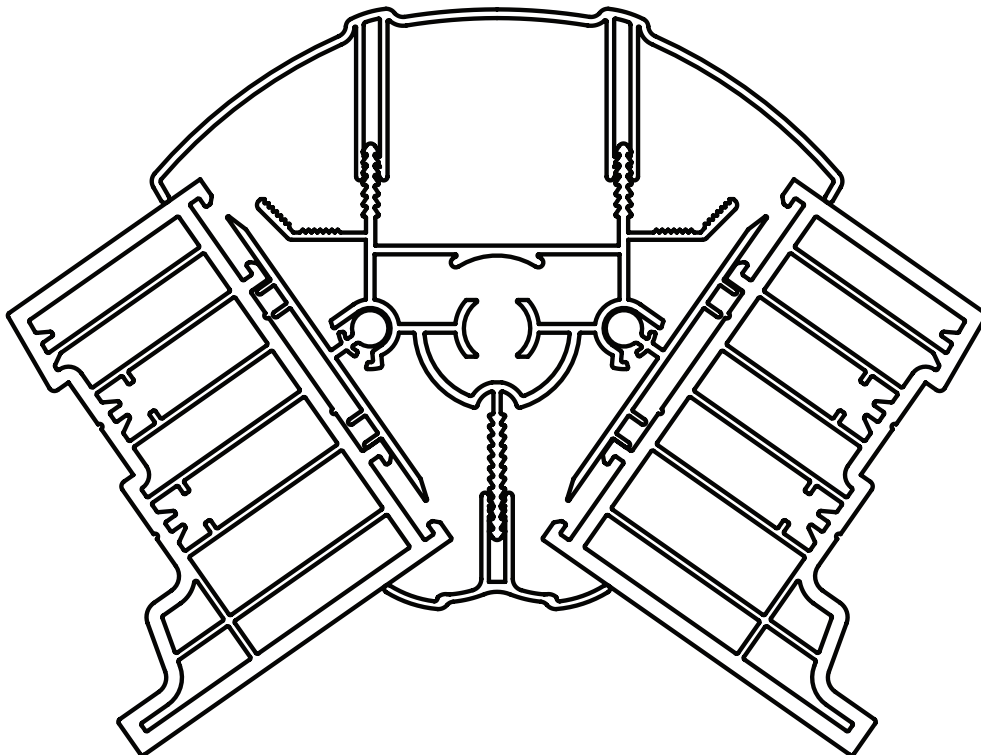
For further assistance, call 01702 613733

www.climatec-windows.co.uk

11-14 Fletchers Square, Temple Farm Industrial Estate, Southend-on-Sea, Essex SS2 5RN

94° - 119° VARIABLE ANGLE BAY POLE - R7

- ❖ For use with Residence R7 Profile
- ❖ Variable angle baypole.
- ❖ Works with angles from 94° to 119°.
- ❖ Decorative trims are fitted last, making baypole jack adjustment easy.
- ❖ Inner trim gives neat detail to inside unlike conventional designs.
- ❖ This product is loadbearing when assembly is screwed together and bay jack is used.
- ❖ Finishes available - white and all standard colours.
- ❖ Jack Number 2



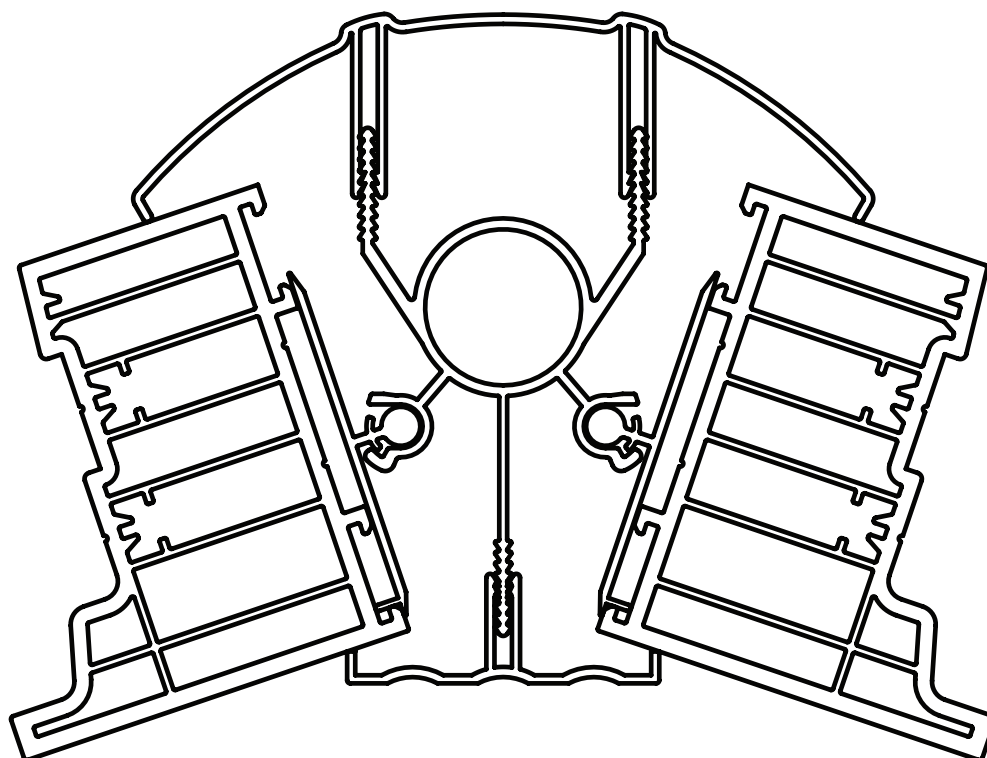
For further assistance, call 01702 613733

www.climatec-windows.co.uk

11-14 Fletchers Square, Temple Farm Industrial Estate, Southend-on-Sea, Essex SS2 5RN

120° - 159° VARIABLE ANGLE BAY POLE - R7

- ❖ For use with Residence R7 Profile
- ❖ Variable angle baypole.
- ❖ Works with angles from 120° to 159°.
- ❖ Decorative trims are fitted last, making baypole jack adjustment easy.
- ❖ Inner trim gives neat detail to inside unlike conventional designs.
- ❖ This product is loadbearing when assembly is screwed together and bay jack is used.
- ❖ Finishes available - white and all standard colours.
- ❖ Jack Number 18



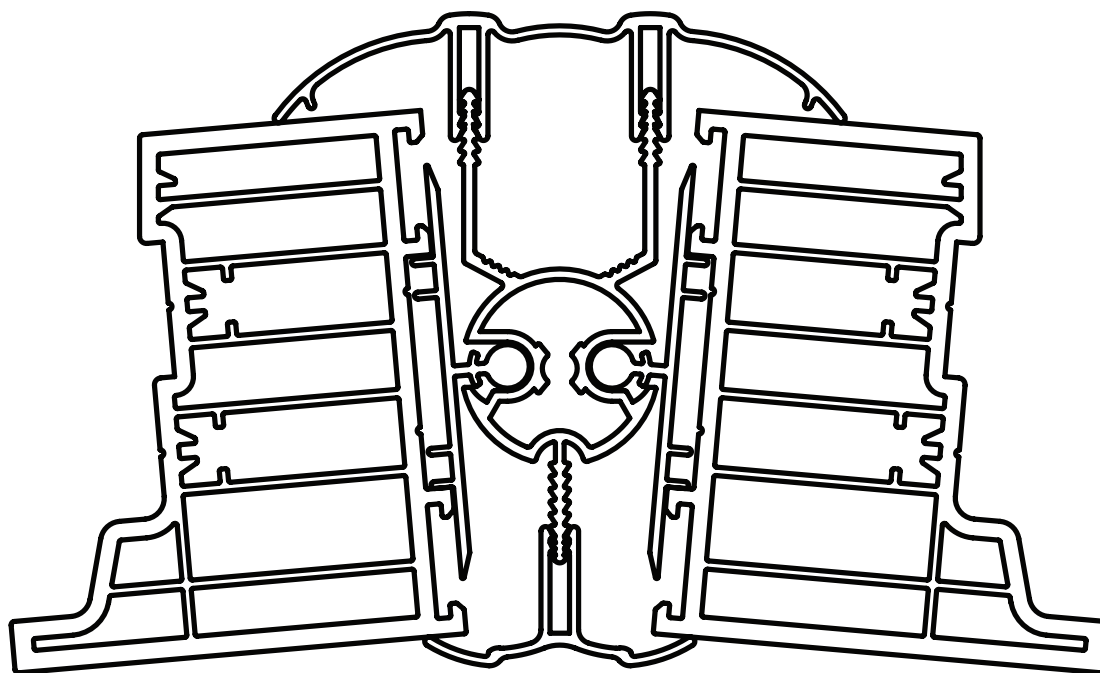
For further assistance, call 01702 613733

www.climatec-windows.co.uk

11-14 Fletchers Square, Temple Farm Industrial Estate, Southend-on-Sea, Essex SS2 5RN

160° - 179° VARIABLE ANGLE BAY POLE - R7

- ❖ For use with Residence R7 Profile
- ❖ Variable angle baypole.
- ❖ Works with angles from 160° to 179°.
- ❖ Decorative trims are fitted last, making baypole jack adjustment easy.
- ❖ Inner trim gives neat detail to inside unlike conventional designs.
- ❖ This product is loadbearing when assembly is screwed together and bay jack is used.
- ❖ Finishes available - white and all standard colours.
- ❖ Jack Number 19



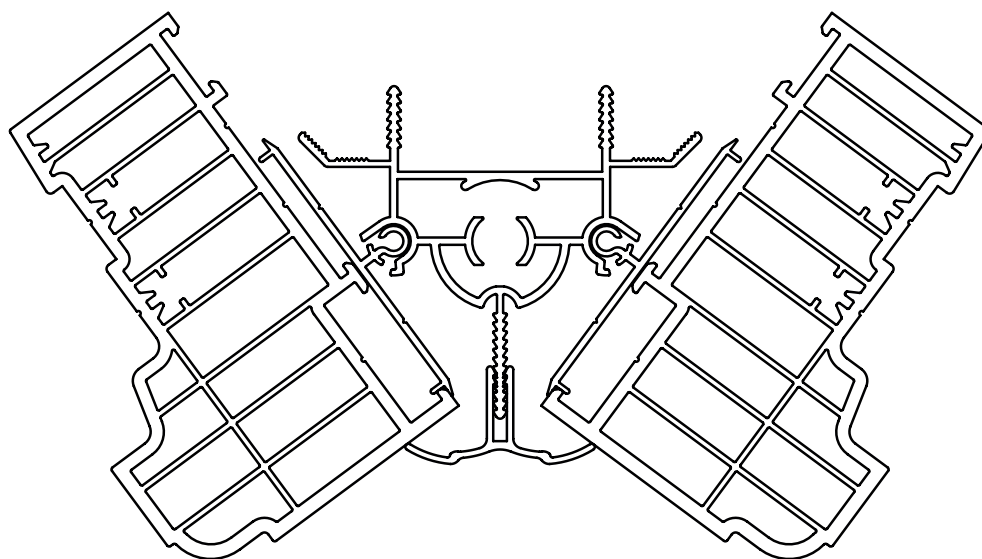
For further assistance, call 01702 613733

www.climatec-windows.co.uk

11-14 Fletchers Square, Temple Farm Industrial Estate, Southend-on-Sea, Essex SS2 5RN

90° - 125° VARIABLE ANGLE BAY POLE - R9

- ❖ For use with Residence R9 Profile
- ❖ Variable angle baypole.
- ❖ Works with angles from 90° to 125°.
- ❖ Inner trim gives neat detail to inside unlike conventional designs.
- ❖ No External Cover available
- ❖ This product is loadbearing when assembly is screwed together and bay jack is used.
- ❖ Finishes available - white and all standard colours.
- ❖ Jack Number 2



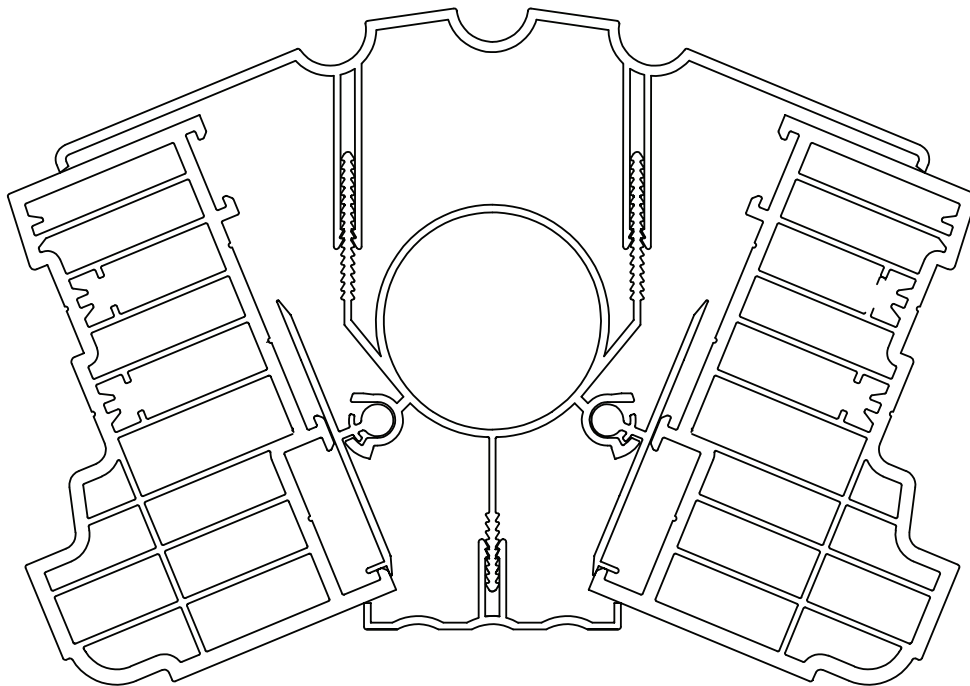
For further assistance, call 01702 613733

www.climatec-windows.co.uk

11-14 Fletchers Square, Temple Farm Industrial Estate, Southend-on-Sea, Essex SS2 5RN

120° - 150° VARIABLE ANGLE BAY POLE - R9

- ❖ For use with Residence R9 Profile
- ❖ Variable angle baypole.
- ❖ Works with angles from 120° to 150°.
- ❖ Decorative trims are fitted last, making baypole jack adjustment easy.
- ❖ Inner trim gives neat detail to inside unlike conventional designs.
- ❖ This product is loadbearing when assembly is screwed together and bay jack is used.
- ❖ Finishes available - white and all standard colours.
- ❖ Jack Number 7



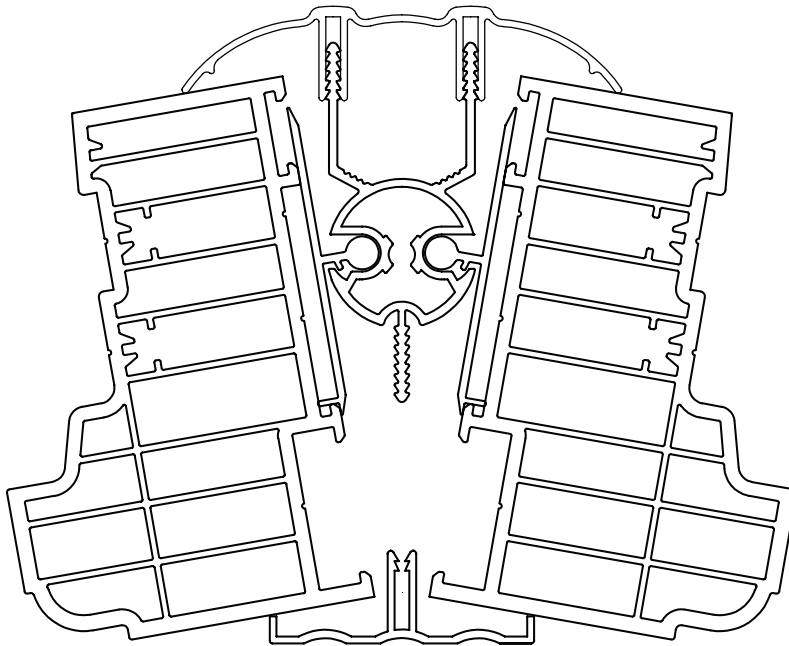
For further assistance, call 01702 613733

www.climatec-windows.co.uk

11-14 Fletchers Square, Temple Farm Industrial Estate, Southend-on-Sea, Essex SS2 5RN

150° - 179° VARIABLE ANGLE BAY POLE - R9

- ❖ For use with Residence R9 Profile
- ❖ Variable angle baypole.
- ❖ Works with angles from 150° to 179°.
- ❖ Decorative trims are fitted last, making baypole jack adjustment easy.
- ❖ Inner trim gives neat detail to inside unlike conventional designs.
- ❖ This product is loadbearing when assembly is screwed together and bay jack is used.
- ❖ Finishes available - white and all standard colours.
- ❖ Jack Number 19



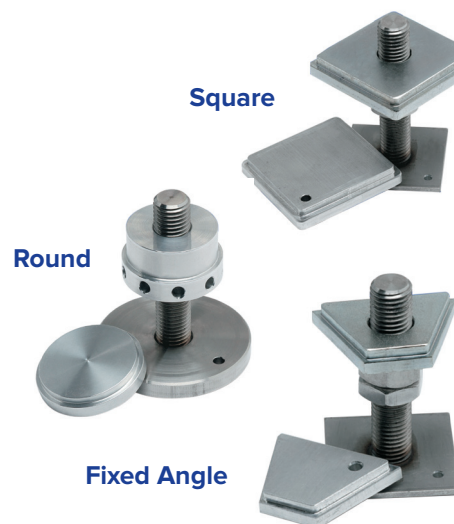
For further assistance, call 01702 613733

www.climatec-windows.co.uk

11-14 Fletchers Square, Temple Farm Industrial Estate, Southend-on-Sea, Essex SS2 5RN

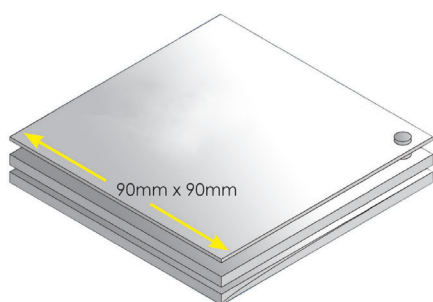
BAY JACKS FOR WINDOW WIDGETS AND REHAU POLES AND SPREADER PLATES

- ❖ Baypole jacks are FENSA compliant.
- ❖ Manufactured from Stainless Steel 304, the bases are designed to fit under the cill.
- ❖ The M16 thread pushes up through a hole drilled in the cill and the locknut and capstain wind onto the thread to support your pole.
- ❖ A spreaderplate for the top of the pole is also supplied so only one jack per pole is needed.



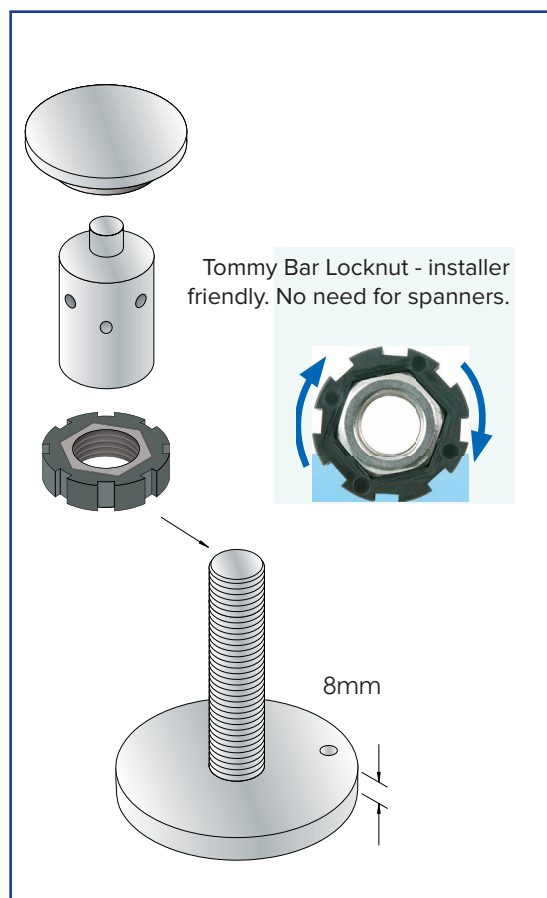
TECHNICAL SPECIFICATION

- ❖ Testing - Random tested to 4 tonnes compressions.
- ❖ Loading - Vertically applied loads of up to 2 Tonnes are permissible.
- ❖ Materials - Bases are manufactured from Stainless Steel 304. Capstains are made from aluminium or zinc plated mild steel.
- ❖ Locknuts - All jacks are supplied with Stainless Steel 304 locknuts, which should always be used.



3mm thick stainless steel spreaderplate for spreading loads.

Ideal for packing under jacks or poles when the brick is uneven or in poor condition.



For non Window Widgets / Rehau poles, see the individual spec sheet.

For further assistance, call 01702 613733

www.climatec-windows.co.uk

11-14 Fletchers Square, Temple Farm Industrial Estate, Southend-on-Sea, Essex SS2 5RN