

DOOR HINGES - VARIOUS

Inside:

- Sigma Door Flag Hinge
- Sigma Door Hybrid Hinge for Rehau Doors
- SFS Door Hinge for Rehau Rio Doors
- SFS Door Hinge for Residence Doors
- Dr Hahn Panic Door Hinge
- Door Butt Hinge for Rehau Doors

For further assistance, call 01702 613733

www.climatec-windows.co.uk

11-14 Fletchers Square, Temple Farm Industrial Estate, Southend-on-Sea, Essex SS2 5RN

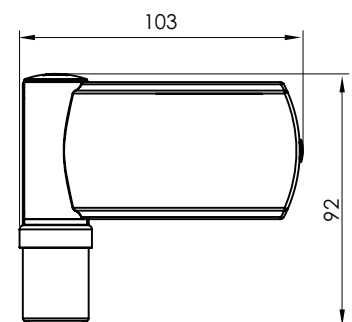
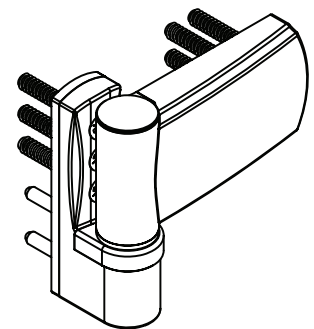
SIGMA DOOR FLAG HINGE



The Sigma hinges has been styled to match our door furniture and is designed to comply with BS EN 1935, Single-Axis Hinges. They are also capable of meeting the requirements of PAS24:2012 (Enhanced Security Performance for Single Door Assemblies).

Door Flag Hinges

- Quality flag hinge for rebated doors with upstand heights between 13.5mm and 25.5mm
- Available in eight colour options - white, brown, tan, black, polished gold, polished chrome, Enduro Steel and satin silver.
- Tested to achieve corrosion resistance of grade 5, BS EN 1670
- Able to carry sashes of 80kg with two hinges, or 120kg with three.
- Allows up to 190° opening angle
- Full 3D adjustment
- Adjustment gap cover



For further assistance, call 01702 613733

www.climatec-windows.co.uk

11-14 Fletchers Square, Temple Farm Industrial Estate, Southend-on-Sea, Essex SS2 5RN

SIGMA DOOR HYBRID HINGE - FOR REHAU DOORS

The Sigma hybrid hinge is ideal for rebated PVCu doors. The hinge provides a more traditional look than a typical flag hinge and is also available in a wide variety of colours.

- Security hinge specifically designed to exceed the requirements of PAS24
- Offers full 3D adjustment
- Compact design offers unrivalled strength, yet maintains slim sightliness with no evidence of drop
- Over rebate fixings into 8mm bosses provide exceptional security and stability
- Additional security screw to prevent tampering on externally hung doors
- Tested to 80kg sash weight using only 2 hinges
- 13 colour options available
- Suits inward and outward opening doors
- 10 year mechanical guarantee



WHITE



BLACK



GOLD



CHROME



SATIN SILVER



SMOKEY
CHROME



CREAM
RAL 9001



ICEPLANT
GREEN 14-C-35



ANTHRACITE
GREY RAL 7016

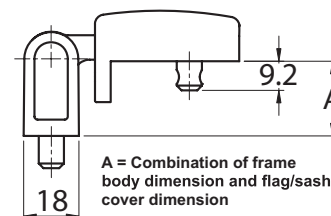
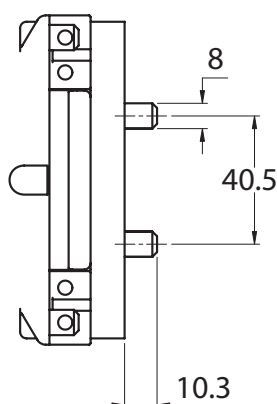
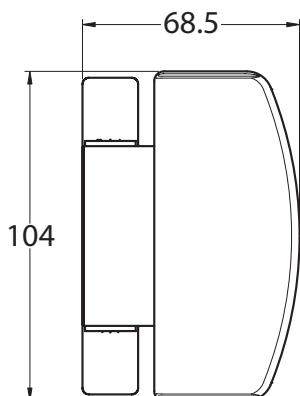


CHOCOLATE
BROWN RAL 8017



BEIGE BROWN
RAL 1011

* ALSO AVAILABLE IN TAN AND BROWN
(NOT PICTURED)



MATERIAL SPECIFICATION

Quality Zinc die cast construction
incorporating stainless steel hinge pin

For further assistance, call 01702 613733

www.climatec-windows.co.uk

11-14 Fletchers Square, Temple Farm Industrial Estate, Southend-on-Sea, Essex SS2 5RN

SFS DOOR HINGE - FOR REHAU RIO OPEN OUT DOORS



- SFS Dynamic 3D for REHAU profile groove
- Only 3 hinges per sash required.
- Fully adjustable
 - Horizontal +/-3mm
 - Height -2mm / +6mm
 - Compression +/-2mm
- PAS 24 tested
- Available in black or white



For further assistance, call 01702 613733

www.climatec-windows.co.uk

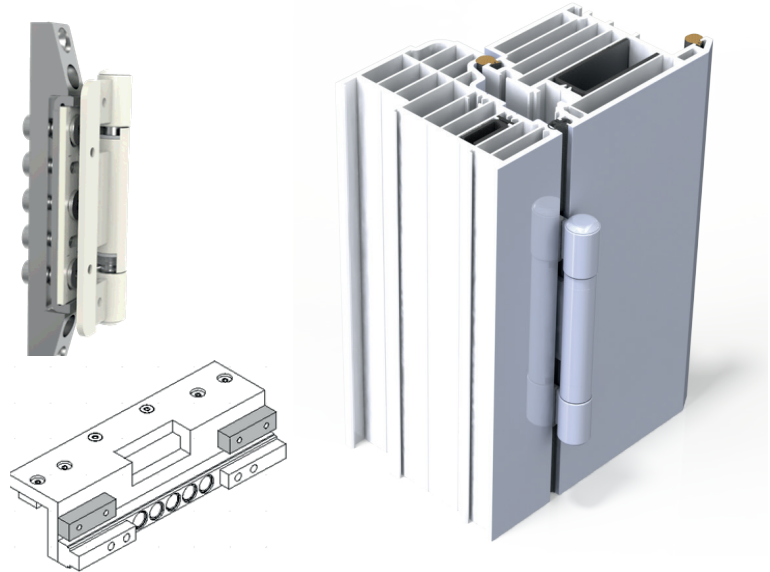
11-14 Fletchers Square, Temple Farm Industrial Estate, Southend-on-Sea, Essex SS2 5RN

SFS DOOR HINGE - FOR RESIDENCE OPEN OUT DOORS

The Residence Collection have partnered with hardware supplier SFS to bring you a dedicated 3D hinge for their Open Out Flush Door.

Each sash will only need 3 of these bespoke hinges which are fully adjustable and available in Matt Black and White.

- PAS 24 tested
- Only 3 hinges required per sash
- Bespoke hinge dedicated to Residence Open Out Door Sash
- No hinge protectors required for PAS24
- Fully adjustable
 - Horizontal +/-3mm
 - Height -2mm / +6mm
 - Compression +/-2mm
- Available in black or white.

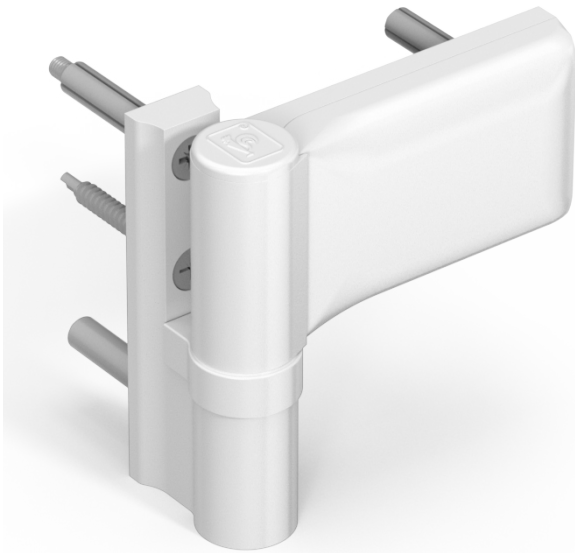


For further assistance, call 01702 613733

www.climatec-windows.co.uk

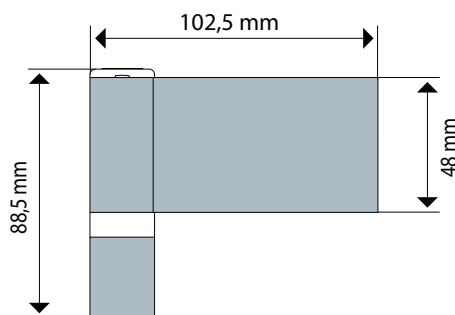
11-14 Fletchers Square, Temple Farm Industrial Estate, Southend-on-Sea, Essex SS2 5RN

DR HAHN PANIC DOOR HINGE



The Dr Hahn Hinge is CE Marked for use with panic doors. Dr Hahn only uses top quality materials and incorporates what you would expect from a modern hinge: effortless 6 dimensional adjustability, timeless design and easy installation.

- CE certified according to EN 1935:2002, hinge class 13
- Same appearance retained after adjustment
- Can be used on left or right
- Bearing point maintenance-free
- Snug fit of all bearing and guide elements
- Efficient alignment, all adjustments can be carried out by a single person



MATERIAL: Made of extruded aluminium

FASTENING METHODS: Direct screw connection in frame and door

ADJUSTABILITY: Without raising or removing the door adjustable in 6 directions

Horizontal adjustment ± 5 mm

Vertical adjustment variable $+ 3$ mm/ $- 2$ mm

Adjusting sealing pressure ± 2.5 mm

LOAD CAPACITY: Depending of profile section design max. 120 kg

CERTIFICATIONS: CE certified according to EN 1935:2002, hinge class 13 SKG 2 stars

COLOURS: White & brown available.

For further assistance, call 01702 613733

www.climatec-windows.co.uk

11-14 Fletchers Square, Temple Farm Industrial Estate, Southend-on-Sea, Essex SS2 5RN

DOOR BUTT HINGE - FOR REHAU DOORS

FLAT OR BEVELLED EDGE SASH

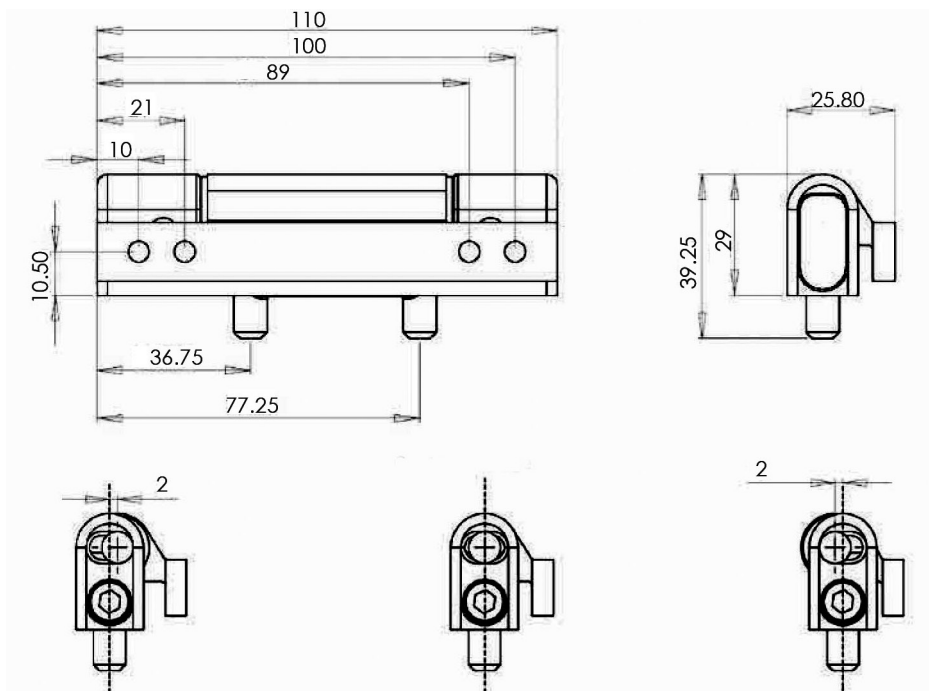
- ❖ Adjustable to ensure optimal weather tightness and easy set-up
- ❖ Two way adjustable ($\pm 2\text{mm}$ lateral, $+4\text{mm}$ vertical) and can be achieved without removing door leaf
- ❖ Steel hinge pin
- ❖ 80kg maximum sash weight (3 hinges)
- ❖ Available in white (open in only) and brown finishes



Door Butt Hinge for Flat Edge Sash



Door Butt Hinge for Bevelled Edge Sash



For further assistance, call 01702 613733

www.climatec-windows.co.uk

11-14 Fletchers Square, Temple Farm Industrial Estate, Southend-on-Sea, Essex SS2 5RN